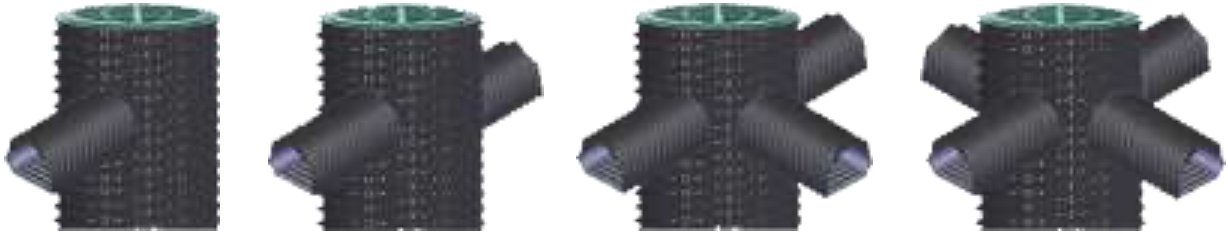


RCM - Specifications

DMW - Drainage Mesh Well + AMP - Arched Mesh Pipe



Drainage Mesh Well			Arched Mesh Pipe		Manhole cover
Size	Code	H cm	Size	Code	
10"	NSO-250A	60	4"F	HPT-100A	Cast iron Manhole Cover
					Plastic Manhole Cover
10"	NSO-250A	75	6"F	HPT-150A	Cast iron Manhole Cover
					Plastic Manhole Cover
10"	NSO-250A	80	8"F	HPT-200A	Cast iron Manhole Cover
					Plastic Manhole Cover
12"	NSO-300A	60	4"F	HPT-100A	Cast iron Manhole Cover
					Plastic Manhole Cover
12"	NSO-300A	75	6"F	HPT-150A	Cast iron Manhole Cover
					Plastic Manhole Cover
12"	NSO-300A	80	8"F	HPT-200A	Cast iron Manhole Cover
					Plastic Manhole Cover
12"	NSO-300A	100	10"F	HPT-250A	Cast iron Manhole Cover
					Plastic Manhole Cover
16"	NSO-400A	60	4"F	HPT-100A	Cast iron Manhole Cover
					Plastic Manhole Cover
16"	NSO-400A	75	6"F	HPT-150A	Cast iron Manhole Cover
					Plastic Manhole Cover
16"	NSO-400A	80	8"F	HPT-200A	Cast iron Manhole Cover
					Plastic Manhole Cover
16"	NSO-400A	100	10"F	HPT-250A	Cast iron Manhole Cover
					Plastic Manhole Cover
16"	NSO-400A	120	12"F	HPT-300A	Cast iron Manhole Cover
					Plastic Manhole Cover

* The company maintains the right to change

RCM - Specifications

DMW - Drainage Mesh Well + DMP - Drainage Mesh Pipe



Drainage Mesh Well			Mesh Drainage Pipe		Manhole cover
Size	Code	H cm	Size	Code	
10"	NSO-250A	60	4"F	NSO-100A	Cast iron Manhole Cover
					Plastic Manhole Cover
10"	NSO-250A	75	6"F	NSO -150A	Cast iron Manhole Cover
					Plastic Manhole Cover
10"	NSO-250A	80	8"F	NSO -200A	Cast iron Manhole Cover
					Plastic Manhole Cover
12"	NSO-300A	60	4"F	NSO -100A	Cast iron Manhole Cover
					Plastic Manhole Cover
12"	NSO-300A	75	6"F	NSO -150A	Cast iron Manhole Cover
					Plastic Manhole Cover
12"	NSO-300A	80	8"F	NSO -200A	Cast iron Manhole Cover
					Plastic Manhole Cover
12"	NSO-300A	100	10"F	NSO -250A	Cast iron Manhole Cover
					Plastic Manhole Cover
16"	NSO-400A	60	4"F	NSO -100A	Cast iron Manhole Cover
					Plastic Manhole Cover
16"	NSO-400A	75	6"F	NSO -150A	Cast iron Manhole Cover
					Plastic Manhole Cover
16"	NSO-400A	80	8"F	NSO -200A	Cast iron Manhole Cover
					Plastic Manhole Cover
16"	NSO-400A	100	10"F	NSO -250A	Cast iron Manhole Cover
					Plastic Manhole Cover
16"	NSO-400A	120	12"F	NSO -300A	Cast iron Manhole Cover
					Plastic Manhole Cover

* The company maintains the right to change

RCM - Specifications

WP - Winding Pipe Well + AMP - Arched Mesh Pipe



Winding Pipe Well			Arched Mesh Pipe		Manhole cover
Size mm	Code	H cm	Size	Code	
250	WP250-4	60	4"F	HPT-100A	Cast iron Manhole Cover Plastic Manhole Cover
250	WP250-4	75	6"F	HPT-150A	Cast iron Manhole Cover Plastic Manhole Cover
250	WP250-4	80	8"F	HPT-200A	Cast iron Manhole Cover Plastic Manhole Cover
300	WP300-4	60	4"F	HPT-100A	Cast iron Manhole Cover Plastic Manhole Cover
300	WP300-4	75	6"F	HPT-150A	Cast iron Manhole Cover Plastic Manhole Cover
300	WP300-4	80	8"F	HPT-200A	Cast iron Manhole Cover Plastic Manhole Cover
300	WP300-4	100	10"F	HPT-250A	Cast iron Manhole Cover Plastic Manhole Cover
400	WP400-4	60	4"F	HPT-100A	Cast iron Manhole Cover Plastic Manhole Cover
400	WP400-4	75	6"F	HPT-150A	Cast iron Manhole Cover Plastic Manhole Cover
400	WP400-4	80	8"F	HPT-200A	Cast iron Manhole Cover Plastic Manhole Cover
400	WP400-4	100	10"F	HPT-250A	Cast iron Manhole Cover Plastic Manhole Cover
400	WP400-4	120	12"F	HPT-300A	Cast iron Manhole Cover Plastic Manhole Cover
500	WP500-4	60	4"F	HPT-100A	Grille Manhole Cover
500	WP500-4	75	6"F	HPT-150A	Grille Manhole Cover
500	WP500-4	80	8"F	HPT-200A	Grille Manhole Cover
500	WP500-4	100	10"F	HPT-250A	Grille Manhole Cover
500	WP500-4	120	12"F	HPT-300A	Grille Manhole Cover
500	WP500-4	250	3"F	HPT-75A	Grille Manhole Cover
500	WP500-4	250	4"F	HPT-100A	Grille Manhole Cover
600	WP600-4	60	4"F	HPT-100A	Grille Manhole Cover
600	WP600-4	75	6"F	HPT-150A	Grille Manhole Cover
600	WP600-4	80	8"F	HPT-200A	Grille Manhole Cover
600	WP600-4	100	10"F	HPT-250A	Grille Manhole Cover
600	WP600-4	120	12"F	HPT-300A	Grille Manhole Cover
600	WP600-4	250	3"F	HPT-75A	Grille Manhole Cover
600	WP600-4	250	4"F	HPT-100A	Grille Manhole Cover

* The company maintains the right to change

RCM - Specifications

WP - Winding Pipe Well + DMP - Drainage Mesh Pipe

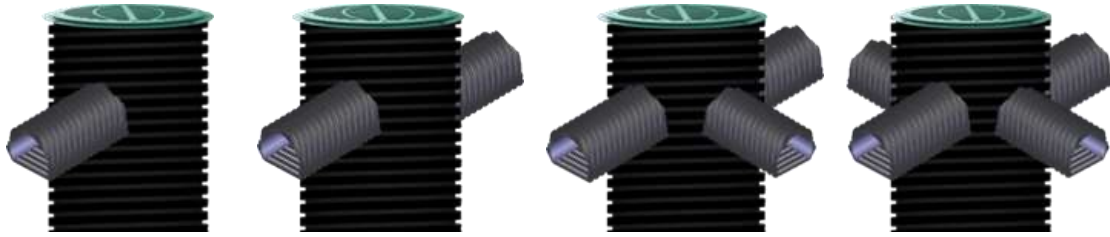


Winding Pipe Well			Mesh Drainage Pipe		Manhole cover
Size mm	Code	H cm	Size	Code	
250	WP250-4	60	4"F	NSO-100A	Cast iron Manhole Cover Plastic Manhole Cover
250	WP250-4	75	6"F	NSO-150A	Cast iron Manhole Cover Plastic Manhole Cover
250	WP250-4	80	8"F	NSO-200A	Cast iron Manhole Cover Plastic Manhole Cover
300	WP300-4	60	4"F	NSO-100A	Cast iron Manhole Cover Plastic Manhole Cover
300	WP300-4	75	6"F	NSO-150A	Cast iron Manhole Cover Plastic Manhole Cover
300	WP300-4	80	8"F	NSO-200A	Cast iron Manhole Cover Plastic Manhole Cover
300	WP300-4	100	10"F	NSO-250A	Cast iron Manhole Cover Plastic Manhole Cover
400	WP400-4	60	4"F	NSO-100A	Cast iron Manhole Cover Plastic Manhole Cover
400	WP400-4	75	6"F	NSO-150A	Cast iron Manhole Cover Plastic Manhole Cover
400	WP400-4	80	8"F	NSO-200A	Cast iron Manhole Cover Plastic Manhole Cover
400	WP400-4	100	10"F	NSO-250A	Cast iron Manhole Cover Plastic Manhole Cover
400	WP400-4	120	12"F	NSO-300A	Cast iron Manhole Cover Plastic Manhole Cover
500	WP500-4	60	4"F	NSO-100A	Grille Manhole Cover
500	WP500-4	75	6"F	NSO-150A	Grille Manhole Cover
500	WP500-4	80	8"F	NSO-200A	Grille Manhole Cover
500	WP500-4	100	10"F	NSO-250A	Grille Manhole Cover
500	WP500-4	120	12"F	NSO-300A	Grille Manhole Cover
500	WP500-4	120	16"F	NSO-400A	Grille Manhole Cover
500	WP500-4	250	3"F	NSO-75A	Grille Manhole Cover
500	WP500-4	250	4"F	NSO-100A	Grille Manhole Cover
600	WP600-4	60	4"F	NSO-100A	Grille Manhole Cover
600	WP600-4	75	6"F	NSO-150A	Grille Manhole Cover
600	WP600-4	80	8"F	NSO-200A	Grille Manhole Cover
600	WP600-4	100	10"F	HPT-250A	Grille Manhole Cover
600	WP600-4	120	12"F	NSO-300A	Grille Manhole Cover
600	WP600-4	120	16"F	NSO-400A	Grille Manhole Cover
600	WP600-4	250	3"F	NSO-75A	Grille Manhole Cover
600	WP600-4	250	4"F	NSO-100A	Grille Manhole Cover

*The company maintains the right to change

RCM - Specifications

SP - Spiral Pipe Well + AMP - Arched Mesh Pipe



Spiral Pipe Well			Arched Mesh Pipe		Manhole Cover
Size mm	Code	H cm	Size	Code	
250	SP-250	60	4"F	HPT-100A	Cast iron Manhole Cover
					Plastic Manhole Cover
250	SP-250	75	6"F	HPT-150A	Cast iron Manhole Cover
					Plastic Manhole Cover
250	SP-250	80	8"F	HPT-200A	Cast iron Manhole Cover
					Plastic Manhole Cover
300	SP-300	60	4"F	HPT-100A	Cast iron Manhole Cover
					Plastic Manhole Cover
300	SP-300	75	6"F	HPT-150A	Cast iron Manhole Cover
					Plastic Manhole Cover
300	SP-300	80	8"F	HPT-200A	Cast iron Manhole Cover
					Plastic Manhole Cover
300	SP-300	100	10"F	HPT-250A	Cast iron Manhole Cover
					Plastic Manhole Cover
400	SP-400	60	4"F	HPT-100A	Cast iron Manhole Cover
					Plastic Manhole Cover
400	SP-400	75	6"F	HPT-150A	Cast iron Manhole Cover
					Plastic Manhole Cover
400	SP-400	80	8"F	HPT-200A	Cast iron Manhole Cover
					Plastic Manhole Cover
400	SP-400	100	10"F	HPT-250A	Cast iron Manhole Cover
					Plastic Manhole Cover
400	SP-400	120	12"F	HPT-300A	Cast iron Manhole Cover
					Plastic Manhole Cover
500	SP-500	60	4"F	HPT-100A	Grille Manhole Cover
500	SP-500	75	6"F	HPT-150A	Grille Manhole Cover
500	SP-500	80	8"F	HPT-200A	Grille Manhole Cover
500	SP-500	100	10"F	HPT-250A	Grille Manhole Cover
500	SP-500	120	12"F	HPT-300A	Grille Manhole Cover
500	SP-500	250	3"F	HPT-75A	Grille Manhole Cover
500	SP-500	250	4"F	HPT-100A	Grille Manhole Cover
600	SP-600	60	4"F	HPT-100A	Grille Manhole Cover
600	SP-600	75	6"F	HPT-150A	Grille Manhole Cover
600	SP-600	80	8"F	HPT-200A	Grille Manhole Cover
600	SP-600	100	10"F	HPT-250A	Grille Manhole Cover
600	SP-600	120	12"F	HPT-300A	Grille Manhole Cover
600	SP-600	250	3"F	HPT-75A	Grille Manhole Cover
600	SP-600	250	4"F	HPT-100A	Grille Manhole Cover

*The company maintains the right to change

RCM - Specifications

SP - Spiral Pipe Well + DMP - Drainage Mesh Pipe




Spiral Pipe Well			Mesh Drainage Pipe		Manhole Cover
Size mm	Code	H cm	Size	Code	
250	SP-250	60	4"F	NSO-100A	Cast iron Manhole Cover
					Plastic Manhole Cover
250	SP-250	75	6"F	NSO-150A	Cast iron Manhole Cover
					Plastic Manhole Cover
250	SP-250	80	8"F	NSO-200A	Cast iron Manhole Cover
					Plastic Manhole Cover
300	SP-300	60	4"F	NSO-100A	Cast iron Manhole Cover
					Plastic Manhole Cover
300	SP-300	75	6"F	NSO-150A	Cast iron Manhole Cover
					Plastic Manhole Cover
300	SP-300	80	8"F	NSO-200A	Cast iron Manhole Cover
					Plastic Manhole Cover
300	SP-300	100	10"F	NSO-250A	Cast iron Manhole Cover
					Plastic Manhole Cover
400	SP-400	60	4"F	NSO-100A	Cast iron Manhole Cover
					Plastic Manhole Cover
400	SP-400	75	6"F	NSO-150A	Cast iron Manhole Cover
					Plastic Manhole Cover
400	SP-400	80	8"F	NSO-200A	Cast iron Manhole Cover
					Plastic Manhole Cover
400	SP-400	100	10"F	NSO-250A	Cast iron Manhole Cover
					Plastic Manhole Cover
400	SP-400	120	12"F	NSO-300A	Cast iron Manhole Cover
					Plastic Manhole Cover
500	SP-500	60	4"F	NSO-100A	Grille Manhole Cover
500	SP-500	75	6"F	NSO-150A	Grille Manhole Cover
500	SP-500	80	8"F	NSO-200A	Grille Manhole Cover
500	SP-500	100	10"F	NSO-250A	Grille Manhole Cover
500	SP-500	120	12"F	NSO-300A	Grille Manhole Cover
500	SP-500	120	16"F	NSO-400A	Grille Manhole Cover
500	SP-500	250	3"F	NSO-75A	Grille Manhole Cover
500	SP-500	250	4"F	NSO-100A	Grille Manhole Cover
600	SP-600	60	4"F	NSO-100A	Grille Manhole Cover
600	SP-600	75	6"F	NSO-150A	Grille Manhole Cover
600	SP-600	80	8"F	NSO-200A	Grille Manhole Cover
600	SP-600	100	10"F	NSO-250A	Grille Manhole Cover
600	SP-600	120	12"F	NSO-300A	Grille Manhole Cover
600	SP-600	120	16"F	NSO-400A	Grille Manhole Cover
600	SP-600	250	3"F	NSO-75A	Grille Manhole Cover
600	SP-600	250	4"F	NSO-100A	Grille Manhole Cover


* The company maintains the right to change

RCM Wells Specifications

DMW - Drainage Mesh Well Specifications


 NSO Drainage Mesh Well	Size	Code	ID*OD mm±3.0%	Pitch mm±3.0%	L m
	6"	NSO-150A	148*165	14.0mm	5m
	8"	NSO-200A	193*216	14.5mm	5m
	10"	NSO-250A	239*267	14.5mm	5m
	12"	NSO-300A	290*318	14.5mm	5m
	16"	NSO-400A	390*420	14.5mm	5m

WP - Winding Pipe Well Specifications

 Winding Pipe Well	Code	ID mm±3%	OD mm±3%	L/m
	WP200P4B	200	220	5m
	WP250P4B	250	270	5m
	WP300P4B	300	330	5m
	WP400P4B	400	440	5m
	WP500P4B	500	540	5m
	WP600P4B	600	650	5m
	WP700P4B	700	750	5m
	WP800P4B	800	862	5m
	WP900P4B	900	978	5m
	WP1000P4B	1000	1088	5m
	WP1200P4B	1200	1300	5m

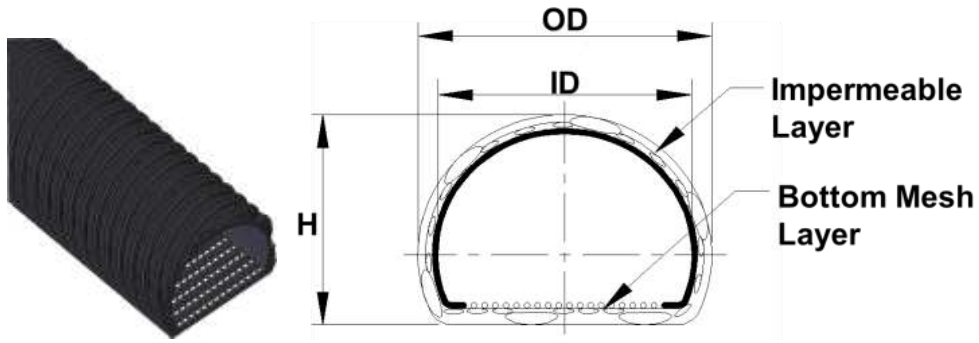
*The company maintains the right to change

SP - Spiral Pipe Well Specifications

 Spiral Pipe Well	Code	ID mm±3%	OD mm±3%	L/m
	SPC-150 SPO-150	150	173	5m
	SPC-200 SPO-200	200	234	5m
	SPC-250 SPO-250	250	285	5m
	SPC-300 SPO-300	300	340	5m
	SPC-400 SPO-400	400	450	5m
	SPC-500 SPO-500	500	566	5m
	SPC-600 SPO-600	600	676	5m

*The company maintains the right to change

AMP - Arched Mesh Pipe Specifications



Size	Code	ID*OD*H mm±3.0%	Length m	Connector	
				Code	L/cm
3"	HPT-75A	79*92*82	5m	HPF-75A	15cm
4"	HPT-100A	96*114*94	5m	HPF-100A	20cm
6"	HPT-150A	149*167*136	5m	HPF-150A	25cm
8"	HPT-200A	193*216*170	5m	HPF-200A	30cm
10"	HPT-250A	239*267*197	5m	HPF-250A	35cm
12"	HPT-300A	290*318*223	5m	HPF-300A	40cm

MC - Manhole Cover Specifications

<u>Plastic manhole cover</u>	<u>Cast iron manhole cover</u>	<u>Grille manhole cover</u>											
 <table border="1" data-bbox="316 1254 406 1411"> <tr><td>Size</td></tr> <tr><td>10"</td></tr> <tr><td>12"</td></tr> <tr><td>16"</td></tr> </table> <p>Material : PP</p>	Size	10"	12"	16"	 <table border="1" data-bbox="737 1276 877 1433"> <tr><td>Size</td></tr> <tr><td>10"</td></tr> <tr><td>12"</td></tr> <tr><td>16"</td></tr> </table>	Size	10"	12"	16"	 <table border="1" data-bbox="1197 1299 1289 1422"> <tr><td>Size</td></tr> <tr><td>20"</td></tr> <tr><td>24"</td></tr> </table>	Size	20"	24"
Size													
10"													
12"													
16"													
Size													
10"													
12"													
16"													
Size													
20"													
24"													

